

CP-UNC-TA41PL3C-GP-Y

4MP Full-Color Guard+ Network Bullet Camera - 30Mtr.

- 1/3" 4MP PS CMOS Image Sensor (0.8467cm)
- Max. 4MP(2560 × 1440)@30fps
- Instastream, H.265 and Smart H.264+ dual-stream encoding
- DWDR, 3D-DNR, ROI, AWB, AGC, BLC, HLC
- 3.6mm fixed lens
- Support Built-in Mic
- Built-in warm light, Illumination Range of 30 Mtrs, IP67, PoE
- Mobile Software: iCMOB, gCMOB
- CMS Software: KVMS Pro



System Overview

With features of simple installation, easy operation, and high performance-cost ratio, This Series camera is applicable to small and medium-sized scenes, such as homes/residences, small-sized retail stores, and other small and medium-sized enterprises.

Functions

Power over Ethernet

This product uses the latest PoE technology to troubleshoot the occurrence of any issues in the system making it easier to use. With the help of this technology, your camera now only consumes energy directly from the power supply and doesn't require any mid-way switches.



CP-UNC-TA41PL3C-GP-Y

4MP Full-Color Guard+ Network Bullet Camera -
30Mtr.

Functions

Instastream

This camera has been designed with the latest and most efficient innovation among the standard video compression designs. Smart encoding algorithms developed by CP PLUS help in saving up to 70% more bandwidth than H.265 along with making it more beneficial for minimizing bandwidth and storage costs. It enhances video coding efficiency while providing high resolution and the rate of frame in the video using Intelligent Region Perception to detect motion in each frame.

Live Viewing

Unlike some, this technology enables you to record the picture feed but view it live as well at your convenience. On top of that, the advantages of high-resolution video recording are numerous.

Regions of interest

Regions of Interest (ROI) is a user defined feature that allows the operator to monitor specific areas of a scene while still maintaining overall situational awareness of less important areas.

gCMOB/ iCMOB

Designed to allow users to access and control live streaming from CP PLUS IP Cameras, DVRs/ NVRs and Video Door Phones, the CP PLUS gCMOB/ iCMOB application offers a host of features such as Easy GUI, up to 16 live viewing split-ups; InstaOn cloud support; Playback; digital zoom ins; two-way talk, and more.

KVMS Pro

The KVMS Pro is a hybrid security management software that allows the management of various surveillance devices such as cameras, DVRs/ NVRs, encoders/ decoders, etc. It is released with the surveillance hardware and exclusively supports CP PLUS devices.

About CP PLUS

The brand that is on its way to lead the world when it comes to the security and surveillance industry, CP PLUS, keeps bombarding the market with the most reliable range of products that have been designed carefully and methodically to automate the whole surveillance and security process, no matter how big your premises are.

It was the initiative to help the public in the area where they are the most vulnerable and to empower the sense of safety in our hearts that had conceptualized CP PLUS. And embarking on its mission to make the world a safer and more secure place has taken the brand's journey to unprecedented levels even when compared to international competitors.



CP-UNC-TA41PL3C-GP-Y

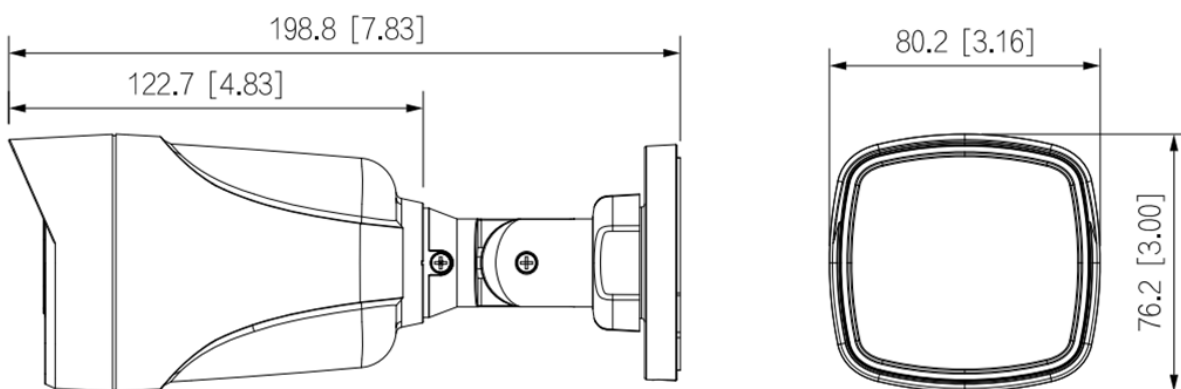
4MP Full-Color Guard+ Network Bullet Camera - 30Mtr.

Feature	Specification
Image Sensor	1/3" 4MP PS CMOS Image Sensor (0.84667cm)
Minimum Illumination	0.01 lux@F1.6 (Color, 30 IRE) 0.001 lux@F1.6
Effective Pixels	2560 (H) × 1440 (V)
Shutter Speed	Auto/Manual, 1/3~1/100000s
White Balance	Auto; natural; street lamp; outdoor; manual; regional custom
Lens	3.6mm
Lens Type	Fixed-focal
Mount Type	M12
Max. Aperture	F1.6
Iris Control	Fixed
Close Focus Distance	1.7m
DORI Distance	85.4m (Detect) 34.2m (Observe) 17.1m (Recognize) 8.5m (Identify)
Gain Control (AGC)	Auto
Video Compression	H.265/Smart H.264+/H.264/ H.264B/ MJPEG (only supported by the sub stream)
Encode Strategy	Instastream
Angle of View	H: 78°; V: 41°; D: 94°
Back Light Compensation	BLC / HLC / DWDR
S/N Ratio	>56dB
Video Streaming	Main stream: 2560 × 1440@(1–25/30 fps) Sub stream: 704 × 576@(1–25 fps)/704 × 480@(1–30 fps) *The values above are the max. frame rates of each stream; for multiple streams, the values will be subjected to the total encoding capacity
Resolution	4M (2560 × 1440); 3M (2304 × 1296); 1080p (1920 × 1080); 1.3M (1280 × 960); 720p (1280 × 720); D1 (704 × 576/704 × 480); VGA (640 × 480); CIF (352 × 288/352 × 240)
Mirror	Support
Motion detection	Off / On (4 area, Rectangle)

Feature	Specification
Privacy Mask	4 Areas
Day/Night	Color
ROI	Support (4 areas)
Noise Reduction	3D-NR
Video Bit Rate	H.264: 32 kbps–4096 kbps H.265: 12 kbps–4096 kbps
Bit Rate Control	CBR/VBR
Audio	Built-in Mic
Audio Compression	G.711a; G.711Mu; G.726; PCM
Protocol	IPv4; IPv6; HTTP; TCP; UDP; ARP; RTP; RTSP; RTCP; SMTP; FTP; DHCP; DNS; DDNS; NTP; Multicast; Instaon cloud, ONVIF (Profile S; Profile T); CGI
Image Rotation	0°/180°
Ethernet	RJ-45 (10/100Base-T)
Alarm Event	Network disconnection; IP conflict; illegal access; motion detection; video tampering; security exception
Cyber Security	Configuration encryption; Trusted execution; Digest; Security logs; HTTPS; Trusted upgrade; WSSE; Trusted boot; Account lockout; Generation and importing of X.509 certification; Video encryption
Smart Phone	iPhone, iPad, Android Phone
User/ Host	6 Users (Total bandwidth: 24 Mbps)
Illumination Distance	Illumination Distance 30 Mtr., Smart Illumination
Illuminator Number	2 (Warm Light)
Browser	IE, Chrome, Firefox
Edge Storage	FTP
Operating Temperature	-40°C to +50°C (-40 °F to +122 °F)
Operating Humidity	≤95%
Storage Temperature	-40 °C to +60 °C (-40 °F to +140 °F)
Storage Humidity	≤95%
Power Source	DC12V, PoE
Power Consumption	Basic: 1.4 W (12 VDC); 2.1 W (PoE) Max. (illuminator intensity): 3.3 W (12 VDC); 4.5 W (PoE)

Feature	Specification
Weatherproof Standard	IP67
Casing	Plastic
Dimension	198.9 mm × 80.2 mm × 76.2 mm (7.83" × 3.16" × 3.00") (L × W × H)
Weight	0.25kg

Dimensions (mm/inch)



Company Name:

CP PLUS (Aditya Infotech Ltd.)

F-28 Okhla Industrial Area, Phase 1,

New Delhi - 110020, INDIA

Contact Mail ID :- customer@cpplusworld.com

